

LB-6-15-A Standard Gain Horn Antenna 110-170GHz 15dB Gain Rectangular Waveguide Interface



Standard Gain Horn Antenna Operating From 110GHz to 170GHz With a Nominal 15dB Gain With Rectangular Waveguide Interface

Product Information

SKU	LB-6-15-A
-----	-----------

Description

Standard Gain Horn Antenna LB-6-15-A, operating from 110 to 170GHz with a nominal 15dB gain and low VSWR 1.15:1 with UG387/U-M output. The model LB-6-15-A has uniform gain through its frequency span, providing efficient performance characteristics and directionality. Constructed of lightweight corrosion-resistant aluminum, the antenna will provide years of trouble-free indoor and outdoor service. This standard gain horn antenna is linearly polarized and ideally suited for EMI testing, direction finding, surveillance, antenna gain and pattern measurements and other applications.

Technical Specification

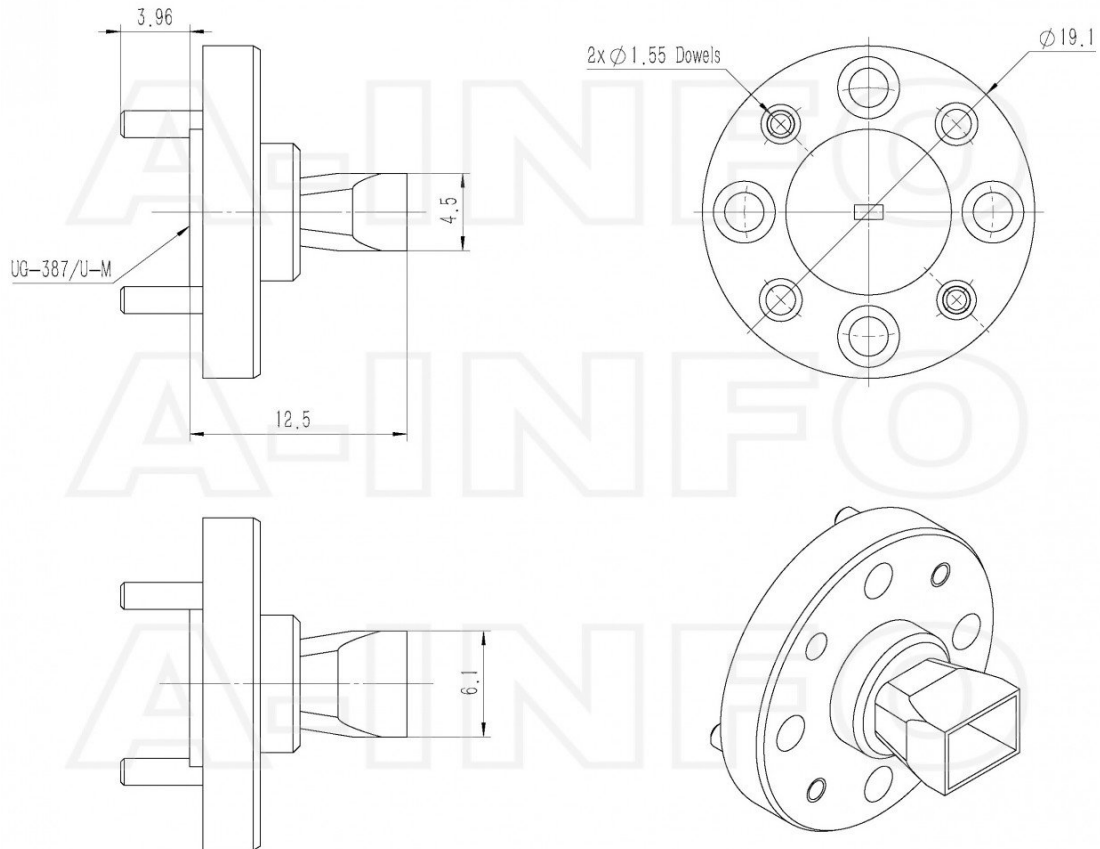
Electrical Specification		Interface	
Frequency, Min (GHz)	110	Output Type	Waveguide
Frequency, Max (GHz)	170	Flange Style	Round
Waveguide Type	Rectangular	Flange Type	Cover
Waveguide Size EIA WR	WR6	Flange Designation	UG-387/U
Gain, Typ (dBi)	15	Mechanical Specification	
Polarization	Linear	Figure	A Type
3dB Beamwidth, E-Plane, Typ (Deg.)	29	Body Material	Cu
3dB Beamwidth, H-Plane, Typ (Deg.)	28	Finish	Gold Plated
Cross Pol. Isolation, Typ (dB)	35	Size, W (mm)	19.1
VSWR, Typ	1.15:1	Size, H (mm)	19.1
		Size, L (mm)	12.5
		Weight, (kg)	0.01

Additional Information

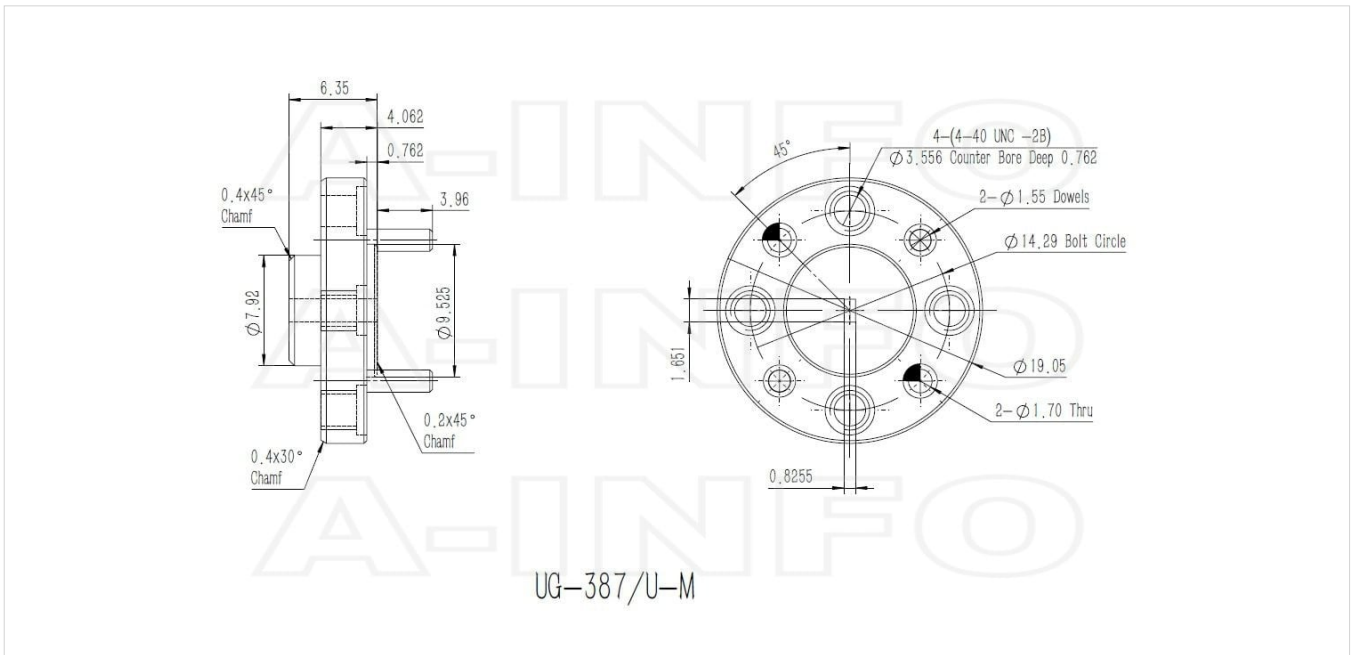
Application	General Purpose Indoor & Outdoor, Fixed	Solution for	Gain Reference Antenna Measurement Reflector Feed Far-field Measurement System Intergration Material Measurement
-------------	---	--------------	---

Outline Drawing

UG-387/U-M Output (P/N: LB-6-15-A)

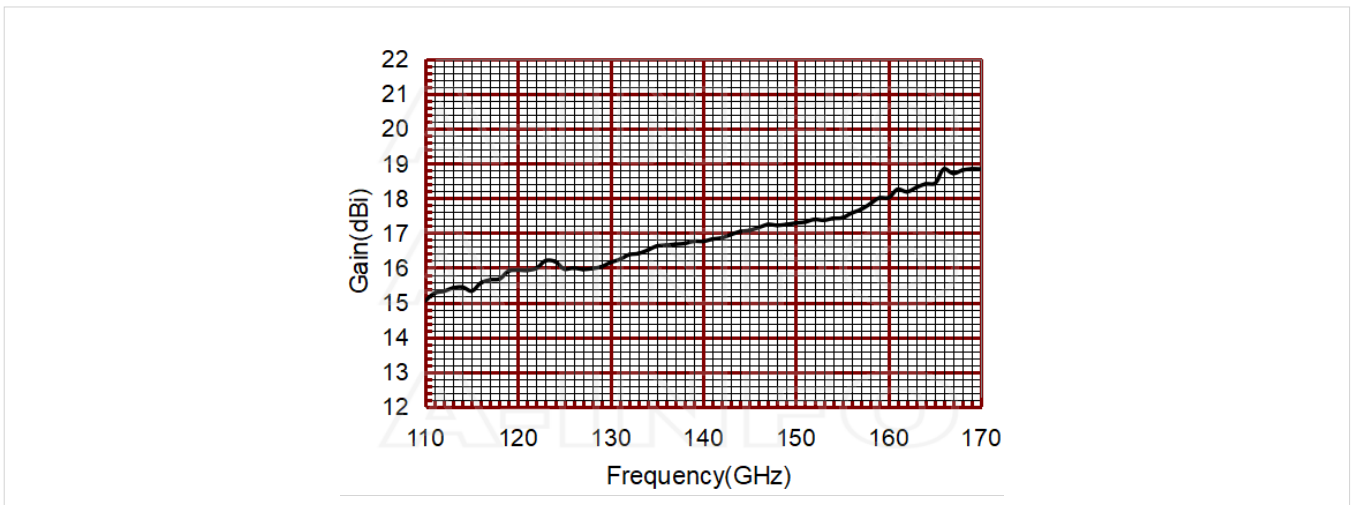


Flange Drawing

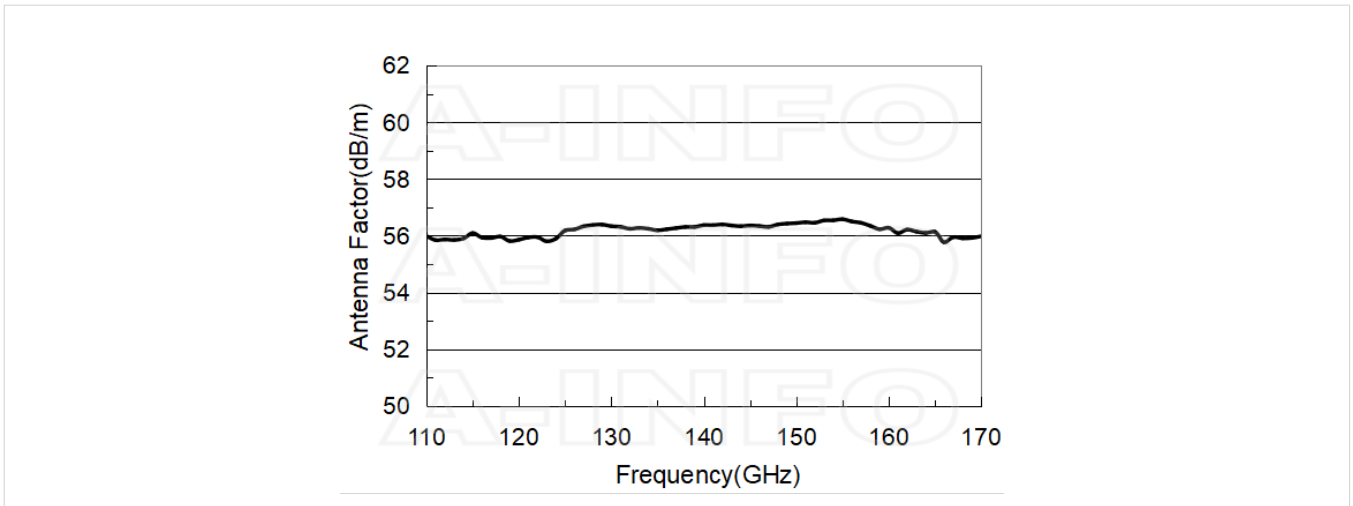


Typical Test Results

Gain



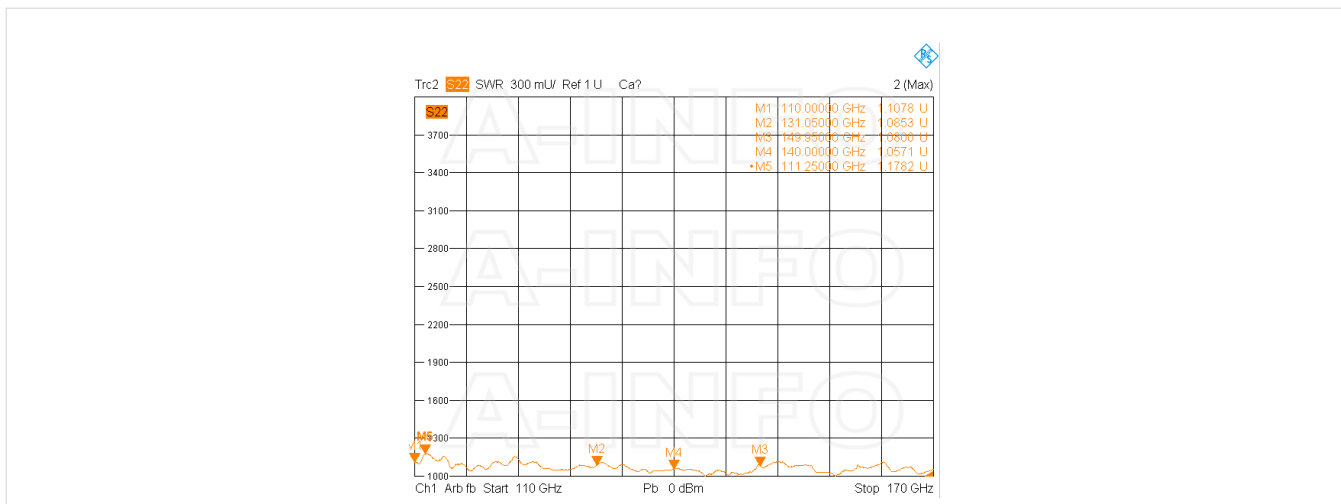
Antenna Factor



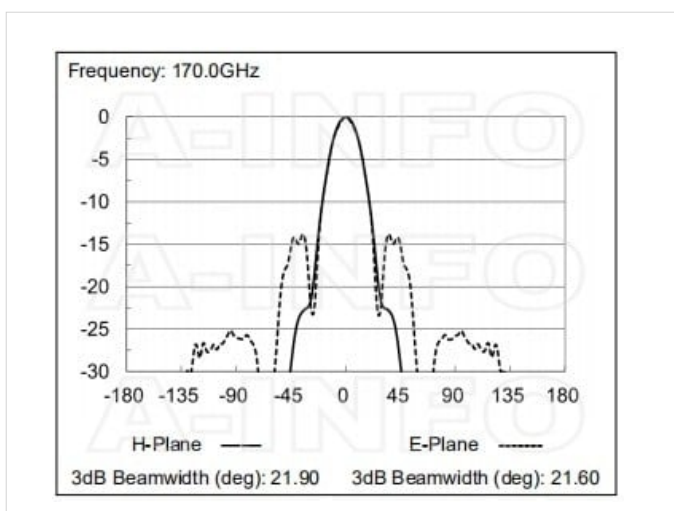
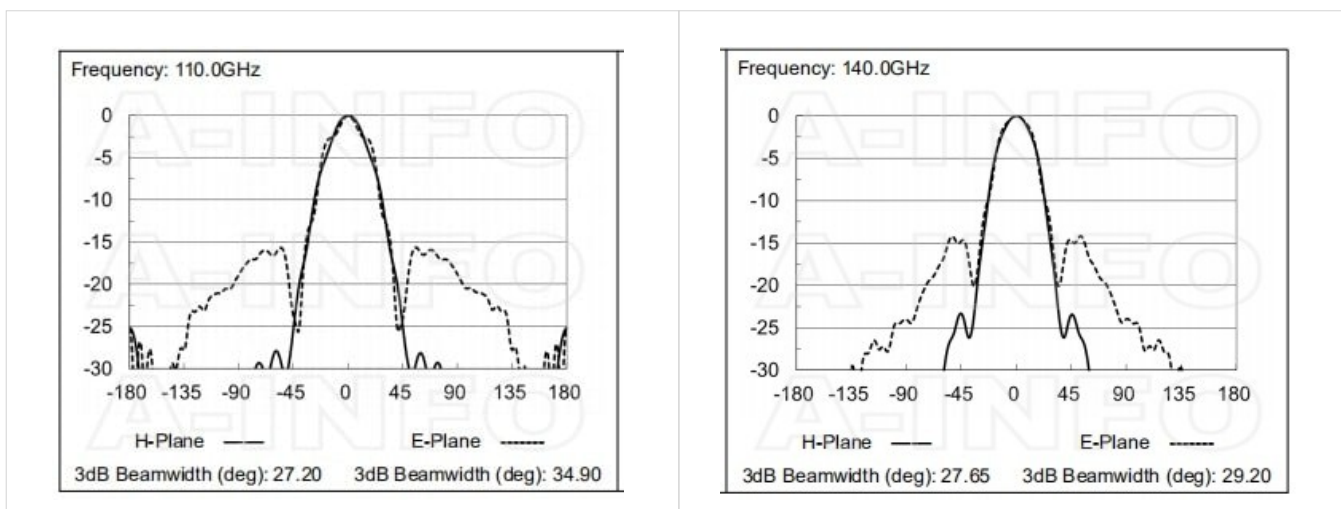
Antenna Factor (Table)

Frequency (GHz)	Gain (dBi)	Antenna Factor (dB/m)	Frequency (GHz)	Gain (dBi)	Antenna Factor (dB/m)
110	15.05	55.99	141	16.82	56.37
111	15.27	55.84	142	16.86	56.40
112	15.33	55.87	143	16.96	56.36
113	15.42	55.85	144	17.04	56.33
114	15.44	55.90	145	17.08	56.36
115	15.33	56.09	146	17.16	56.34
116	15.56	55.94	147	17.24	56.31
117	15.65	55.92	148	17.22	56.39
118	15.68	55.97	149	17.25	56.43
119	15.91	55.81	150	17.29	56.45
120	15.93	55.86	151	17.32	56.47
121	15.93	55.94	152	17.39	56.46
122	15.99	55.95	153	17.37	56.54
123	16.20	55.80	154	17.42	56.54
124	16.18	55.90	155	17.44	56.58
125	15.96	56.18	156	17.57	56.50
126	15.99	56.22	157	17.67	56.45
127	15.96	56.33	158	17.83	56.35
128	15.98	56.38	159	18.01	56.23
129	16.03	56.39	160	18.01	56.28
130	16.15	56.34	161	18.26	56.09
131	16.24	56.31	162	18.18	56.22
132	16.38	56.25	163	18.31	56.15
133	16.41	56.28	164	18.41	56.10
134	16.51	56.25	165	18.42	56.14
135	16.62	56.19	166	18.84	55.77
136	16.65	56.23	167	18.71	55.95
137	16.68	56.27	168	18.81	55.91
138	16.70	56.31	169	18.84	55.92
139	16.76	56.31	170	18.84	55.98
140	16.76	56.37			

VSWR



Pattern



Related Products



HSCS_4-40UNC_Pack Assembly Pack

Similar Products



LB-6-15-ASPO Standard Gain Horn Antenna 110-170GHz 15dB Gain Rectangular Waveguide Interface



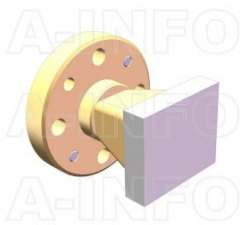
LB-6-10-A Standard Gain Horn Antenna 110-170GHz 10dB Gain Rectangular Waveguide Interface



LB-6-10-ASPO Standard Gain Horn Antenna 110-170GHz 10dB Gain Rectangular Waveguide Interface



LB-6-20-A Standard Gain Horn Antenna 110-170GHz 20dB Gain Rectangular Waveguide Interface



LB-6-20-ASPO Standard Gain Horn Antenna 110-170GHz 20dB Gain Rectangular Waveguide Interface



LB-6-25-A Standard Gain Horn Antenna 110-170GHz 25dB Gain Rectangular Waveguide Interface



LB-6-25-ASPO Standard Gain Horn Antenna 110-170GHz 25dB Gain Rectangular Waveguide Interface

About this Datasheet

<ul style="list-style-type: none">● Product Information Product Link: https://www.ainfoinc.com/lb-6-15-a-standard-gain-horn-antenna-110-170-ghz-15db-gain-ug387-u-m Data subject to change without notice. © A-INFO INC. 2023. All Rights Reserved	<ul style="list-style-type: none">● Contact Us Address: 60 Tesla, Irvine, CA 92618, USA Website: www.ainfoinc.com Email: sales@ainfoinc.com	<ul style="list-style-type: none">● Phone & Fax Phone: +1-949-639-9688 +1-949-639-9608 Fax: +1-949-639-9670
--	--	--